

# CLIMA-CORE® PLATFORM

The Clima-Core® Platform is Staging Concepts' weather-resistant platform, specially designed for outdoor use. This single-sided, semi-permanent platform is constructed with the same level of strength and durability as our cornerstone SC90® Platform, with the added benefit of being able to withstand the natural elements of the outdoors, such as hot or cold temperatures. The Clima-Core platform is water resistant and will not rot, swell, warp or absorb moisture. Plus, the construction of this demountable platform is impervious to ants, termites, moths, bugs, and beetles making this platform an ideal candidate for long-term outdoor placement.

The core feature of this durable, all season platform is essentially its core! The honeycomb core's top is weather-resistant making the platform suitable for a wide range of weather conditions and a wide range of events. The Clima-Core is constructed with an extruded aluminum frame that is combined with a sturdy non-wood composite substrate. This all-weather platform includes a load rating of 150 psf., is available in our standard black HDPE, and features a UV resistant surface finish.

Like our other platforms, the Clima-Core is available in both standard and custom sizes. Standard sizes include 4' x 8' (1.22 m x 2.44 m), 4' x 6' (1.22 m x 1.83 m), 4' x 4' (1.22 m x 1.22 m), 3' x 8' (.91 m x 2.44 m), 3' x 6' (.91 m x 1.83 m) and 2' x 8' (.61 m x 2.44 m). The platform is compatible with our SC90 Fixed and Adjustable Leg Supports, our SC9600 Bridge Supports, and our full line of accessories including our skirt clips, chair stops, and closure panels.

Be outdoors and gain more portable staging options with the Clima-Core!



The Clima-Core is designed to withstand the natural elements of the outdoors making it suitable year-round.

**Be outdoors with the Clima-Core!**





## ADVANTAGES

### Strength

- Constructed with 1" (25.4 mm) thick non-wood structural composite core that does not rot, mold, mildew or absorb moisture.
- Textured black HDPE surface contains additives to extend the life of the color and plastic in an outdoor environment.
- Engineered to support 150 lbs/square foot of uniformly distributed live load.
- Top locking Roto-Locks provide monolithic floor when platforms are locked together.

### Durability & Efficiency

- Platform only needs support in four corners for quick setup.
- Patented aluminum extrusion allows for guardrails, step units, closure panels, chair stops, and skirting clip attachment, with no loose parts.
- Platforms easily handled by two people.
- For use with all of Staging Concepts' supports.

### Maintenance & Longevity

- To maximize the longevity of the platform, we recommend covering with a tarp or storing the platform under an overhead surface between use.
- The platform's frame includes a three-year warranty.

## TECHNICAL SPECIFICATIONS

The Clima-Core is a single sided, weather-resistant portable platform. It is designed to function with all Staging Concepts' supports, and to comply with the following:

- Edging: 4" (101.6 mm) high, extruded 6005A-T61 aluminum frame, including protective edge, mill finish. Design frame to accept:

- Built-in Roto-Lock system
- Structural locking clip system
- Guardrails
- Chair stops
- Closure panels
- Step units
- Skirting clips

- Subfloor: 1" (25.4 mm) thick composite non-wood structural core.

- Finished surface: Textured black HDPE surface with UV inhibitor to provide additional protection to exterior exposure.

- Platform will support 150 lbs/square foot of uniformly distributed live load.

- Due to the lowered placement of the Roto-Lock unit to unit connectors, the Clima-Core cannot connect with our SC90 or SC97 platforms. Upon request, the Roto-Locks can be custom located to gang with either platform but this would affect the ability to replace the locks should it be necessary

- Platform extrusion accessory grooves are compatible with leading manufacturer's channel nuts for alternate attachment methods.

## DIMENSIONS, WEIGHTS, AND FINISH OPTIONS

### 4' x 8' (1.22 m x 2.44 m) (lbs/kg)

Textured Black HDPE 118/53.8

### 4' x 6' (1.22 m x 1.83 m) (lbs/kg)

Textured Black HDPE 89/40.6

### 4' x 4' (1.22 m x 1.22 m) (lbs/kg)

Textured Black HDPE 66/30.0

### 3' x 8' (0.92 m x 2.44 m) (lbs/kg)

Textured Black HDPE 93/42.1

### 3' x 6' (0.92 m x 1.83 m) (lbs/kg)

Textured Black HDPE 72/33.0

### 2' x 8' (0.61 m x 2.44 m) (lbs/kg)

Textured Black HDPE 72/32.7

### 3.28' x 6.56' (1 m x 2 m) (lbs/kg)

Textured Black HDPE 83/37.6

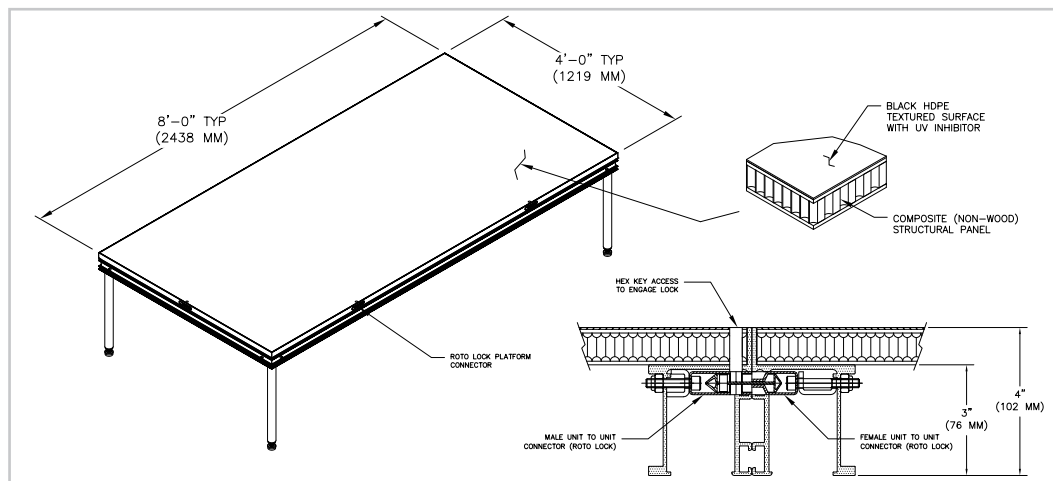
\*Custom sizes and shapes are available upon request.

### Aluminum Frame Options:

Mill finish, Powder coat finish (black or silver), Anodized finish (black or clear)

Patent Pending

## CLIMA-CORE PLATFORM SCHEMATICS



**STAGING  
CONCEPTS**

A Trex® Company

We elevate all people's abilities to safely access and enjoy amazing life experiences.

7008 Northland Drive, Suite 150 · Minneapolis, MN 55428 · www.stagingconcepts.com · 763.533.2094