



# ROLLING DRUM RISER

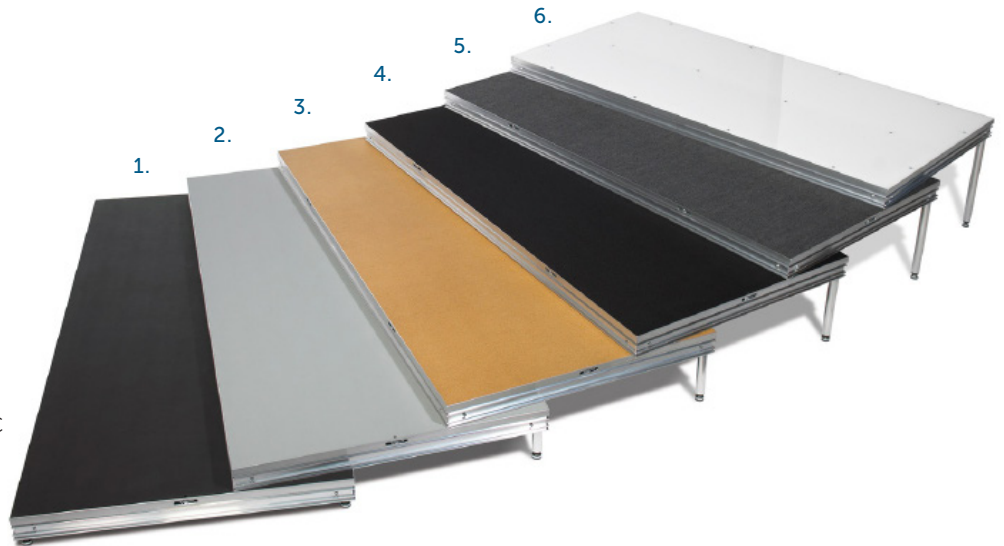
Staging Concepts' Rolling Drum Riser complements your performance stage setup. Its understructure has dual locking casters to keep the riser in place during performances. When not in use, its understructure collapses for easy storage and transport. The Rolling Drum Riser is for use with SC90 Platforms.



Rolling Drum Riser

SC90 Platform/Decks are available in the following surface options:

1. HDPE – black
2. HDPE – gray
3. Plyron – tempered hardboard
4. Carpet – black
5. Carpet – gray
6. Acrylic – opaque (clear acrylic also available)



**STAGING  
CONCEPTS**  
A Trex® Company

We elevate all people's abilities to safely access and enjoy amazing life experiences.

7008 Northland Drive · Suite 150 · Minneapolis, MN 55428 · [www.stagingconcepts.com](http://www.stagingconcepts.com) · 763.533.2094



## ADVANTAGES

### Efficiency

- Sets up in minutes with only two people
- When platforms are taken off, drum riser understructure folds up quickly and easily into storage position
- Locking casters allow drum riser to roll into place and lock into static position

## TECHNICAL SPECIFICATIONS

Staging Concepts' Rolling Drum Riser Understructure complies with the following:

- Material: HREW 14 gauge steel tubing
- Casters: 4" (102 mm) locking casters
- Finish: Black powder coat

## DIMENSIONS, WEIGHTS, AND FINISH OPTIONS

8' L x 8' W x 13.5" H      43 lbs / 19.5 kg  
(2.44 m x 2.44 m x 342 mm)

8' L x 8' W x 16" H      45 lbs / 20.4 kg  
(2.44 m x 2.44 m x 406 mm)

8' L x 8' W x 18" H      48 lbs / 21.8 kg  
(2.44 m x 2.44 m x 457 mm)

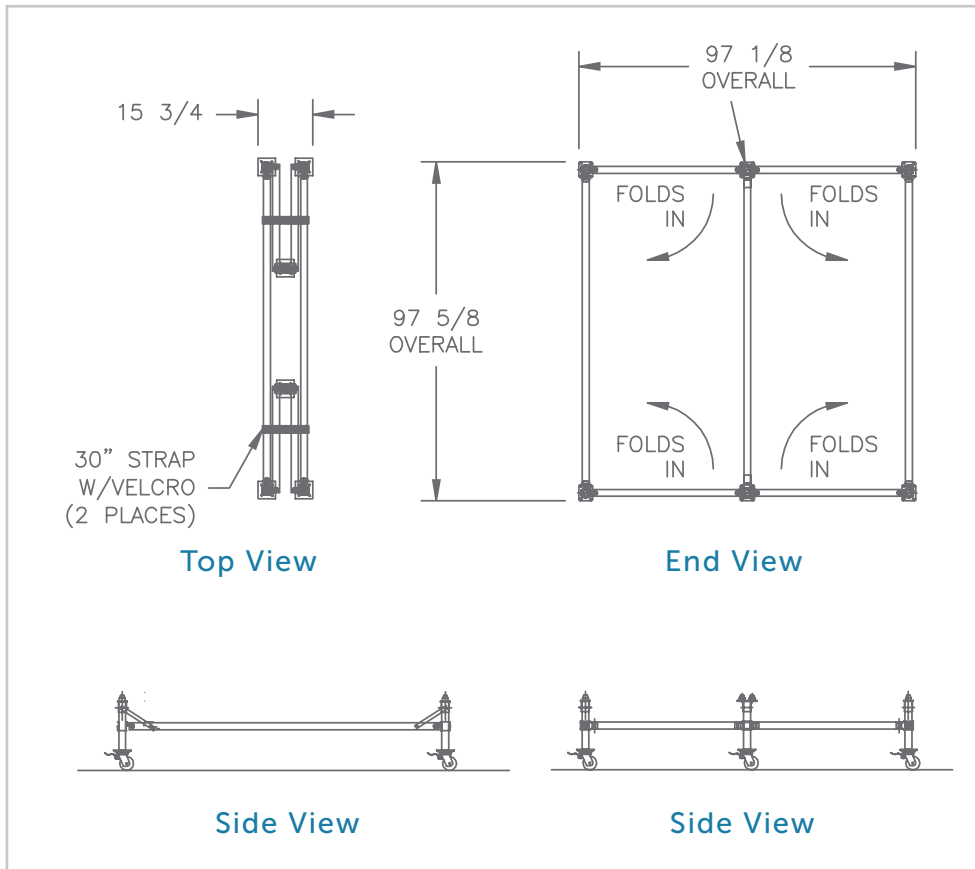
8' L x 8' W x 24" H      50 lbs / 22.7 kg  
(2.44 m x 2.44 m x 610 mm)

8' L x 8' W x 30" H      55 lbs / 24.9 kg  
(2.44 m x 2.44 m x 762 mm)

Other sizes: 6' L x 6' W and 6' L x 8' W

\*Custom sizes and surfaces are available upon request

## ROLLING DRUM RISER UNDERSTRUCTURE SCHEMATICS



**STAGING  
CONCEPTS**

A Trex® Company

We elevate all people's abilities to safely access and enjoy amazing life experiences.

7008 Northland Drive · Suite 150 · Minneapolis, MN 55428 · [www.stagingconcepts.com](http://www.stagingconcepts.com) · 763.533.2094