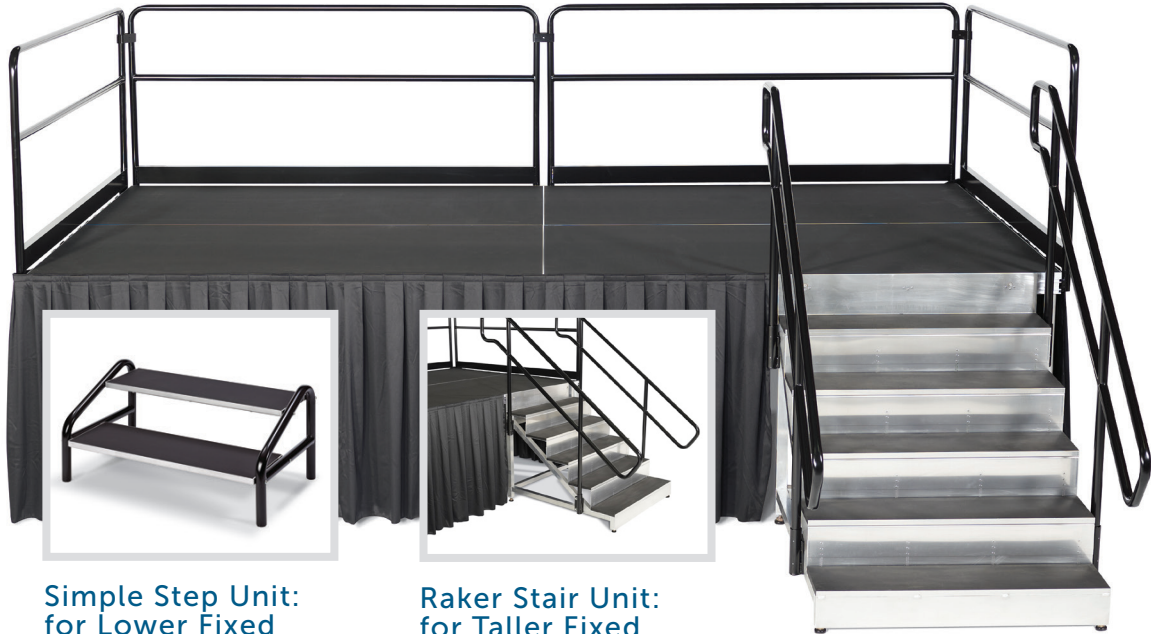




# FIXED AND ADJUSTABLE HEIGHT STAIR UNITS

For ultimate convenience, Staging Concepts manufactures both Fixed and Adjustable Height Stair Units that provide access to any height stage. Step units can include locking mechanisms that attach quickly and firmly to any of Staging Concepts' decks. The Fixed Height Stair Unit is available in a Simple Step Unit (for lower fixed height stages) and a Raker Stair Unit (for taller fixed height stages), and can be custom manufactured to fit the height of your stage.



**Simple Step Unit:  
for Lower Fixed  
Height Stages**

**Raker Stair Unit:  
for Taller Fixed**

**48" Tall Fixed  
Height Stage with Raker**

The Adjustable Height Stair Unit can be easily modified to fit stages that are adjustable in height.



**Stage with Adjustable  
Height Stair Unit**

**Adjustable Height  
Stair Unit: Side View**



**STAGING  
CONCEPTS**

A Trex® Company

We elevate all people's abilities to safely access and enjoy amazing life experiences.

8400 Wyoming Avenue N · Suite 100 · Minneapolis, MN 55445 · [www.stagingconcepts.com](http://www.stagingconcepts.com) · 763.533.2094



## ADVANTAGES

### Safety

- Stair units are equipped with two aluminum handrails for the safety of patrons and performers. (Does not apply to Simple Step.)
- Fixed Height Stair Units manufactured with code-compliant rise and run.

### Efficiency

- Depending on the style, stair units will lock into platform extrusion with no loose parts or special tools. (Does not apply to Simple Step.)
- Removable aluminum handrails allow for easy transport and storage.

- For use with all of Staging Concepts' platforms.

### Variety

- Variety of heights available for both Fixed and Adjustable Height Stair Units.
- Aluminum handrail for all stair units available in mill aluminum, black powder coat, silver powder coat, black anodized, or clear anodized finish.

\*Custom sizes and finishes available upon request.

## TECHNICAL SPECIFICATIONS

### FIXED HEIGHT STAIR UNITS

#### Simple Step Unit (for lower stages)

The Simple Step Unit features a tread surface that is composed of 1" (25 mm) structural grade plywood available with a variety of surfaces. This stair option is available in standard and custom sizes.

#### Standard Sizes

- Rise Options: 6" (153 mm), 7" (178 mm) or 8" (203 mm)
- Tread Quantity: 1, 2, or 3
- Width Options: 3' (914 mm) or 4' (1220 mm)

#### Raker Stair Unit (for taller stages)

The Raker Stair Unit is constructed of structural aluminum tubing and 0.080" (2 mm) formed aluminum risers for superior durability and visual appeal. The tread surface is composed of 1" (25 mm) structural grade plywood available with a variety of surfaces. The Raker Stair Unit is available in standard and custom sizes. Handrails are also available as an accessory.

#### Standard Sizes

- Rise Options: 6" (153 mm), 7" (178 mm) or 8" (203 mm)
- Tread Quantity: 1+
- Width Options: 3' (914 mm) or 4' (1220 mm)

## TECHNICAL SPECIFICATIONS

### ADJUSTABLE HEIGHT STAIR UNITS

The Adjustable Stair Unit is constructed of structural aluminum for superior durability and ease of transport. The tread surface is composed of 1" (25 mm) structural grade plywood available with a variety of surfaces. This stair option is available in standard and custom sizes. Handrails are also available as an accessory.

#### Standard Sizes

- Adjustable Sizes:
  - 4-Tread: 16-24" (406 mm-610 mm)
  - 5-Tread: 24-36" (610 mm-914 mm)
  - 6-Tread: 30-40" (762 mm-1016 mm)
  - 7-Tread: 36-48" (914 mm-1219 mm)
  - 8-Tread: 36-56" (914 mm-1422 mm)
  - 9-Tread: 48-72" (1220 mm-1829 mm)
  - 11-Tread: 48-72" (1220 mm-1829 mm)
- Width Options: 3' (914 mm)

#### Surface Options

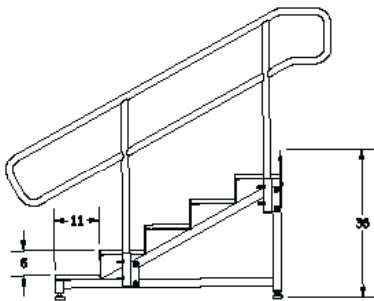
- HDPE: black
- HDPE: gray
- Carpet: black
- Carpet: gray
- Plyron: tempered hardboard
- Aluminum: textured plant

#### Finish Options

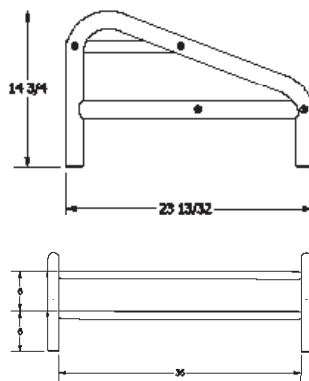
- Mill aluminum
- Black powder coat
- Custom colored powder coat

## STAIR UNIT SCHEMATICS

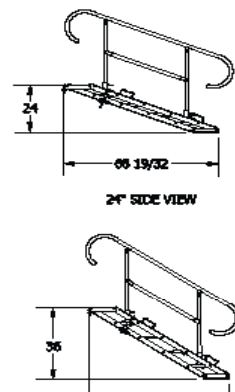
### 5 Tread Fixed Height Stair Raker



### Simple Step Unit



### 24" - 36" Adjustable Height Stair Unit



**STAGING  
CONCEPTS**

A Trex® Company

We elevate all people's abilities to safely access and enjoy amazing life experiences.

8400 Wyoming Avenue N · Suite 100 · Minneapolis, MN 55445 · [www.stagingconcepts.com](http://www.stagingconcepts.com) · 763.533.2094