

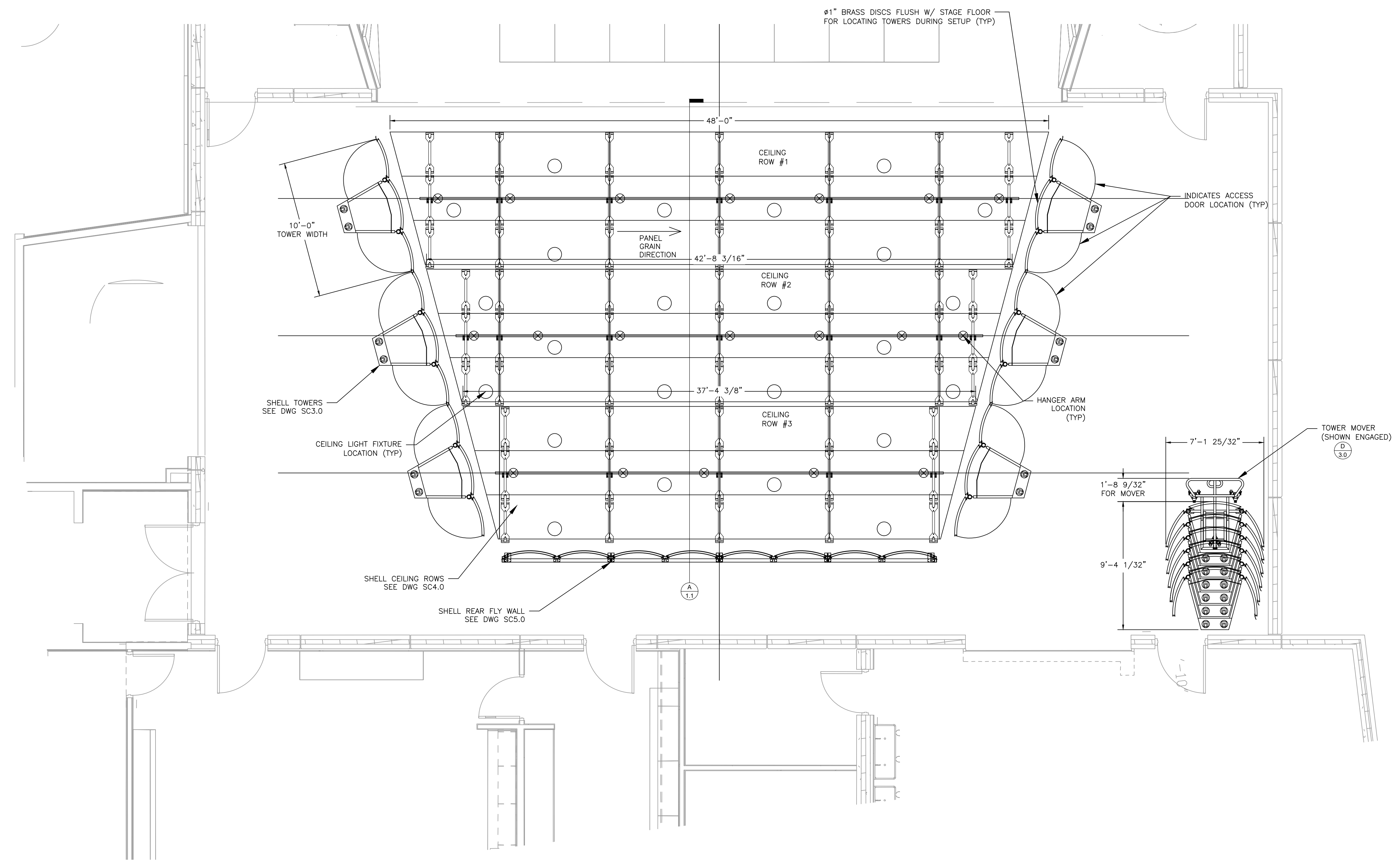


7008 NORTHLAND DR., SUITE 150  
MINNEAPOLIS, MN 55428  
PH: (763) 533-2094

THIS DRAWING IS THE PROPERTY OF STAGING CONCEPTS AND IS FURNISHED ON A CONFIDENTIAL BASIS. NEITHER THE DRAWING NOR ITEMS THEREON ARE TO BE REPRODUCED OR USED IN ANY MANNER NOT AUTHORIZED BY STAGING CONCEPTS AND IS LOANED SUBJECT TO RETURN ON DEMAND.

**PROJECT INFORMATION**

ARCHITECT:  
THEATER CONSULTANT:  
GENERAL CONTRACTOR:  
CUSTOMER:  
PROJECT:  
LOCATION:  
SHEET:



**A** ACOUSTICAL SHELL FULL PLAN  
1/4"=1'-0"

DRAWN BY \_\_\_\_\_ DATE \_\_\_\_\_

PROJECT NUMBER \_\_\_\_\_

SHEET NUMBER \_\_\_\_\_

ITEM	DESCRIPTION	AUTH	DATE



7008 NORTHLAND DR., SUITE 150  
MINNEAPOLIS, MN 55428  
PH: (763) 533-2094

THIS DRAWING IS THE PROPERTY OF STAGING CONCEPTS AND IS FURNISHED ON A CONFIDENTIAL BASIS. NEITHER THE DRAWING NOR ITEMS THEREON ARE TO BE REPRODUCED OR USED IN ANY MANNER NOT AUTHORIZED BY STAGING CONCEPTS AND IS LOANED SUBJECT TO RETURN ON DEMAND.

**PROJECT INFORMATION**

ARCHITECT:

THEATER CONSULTANT:

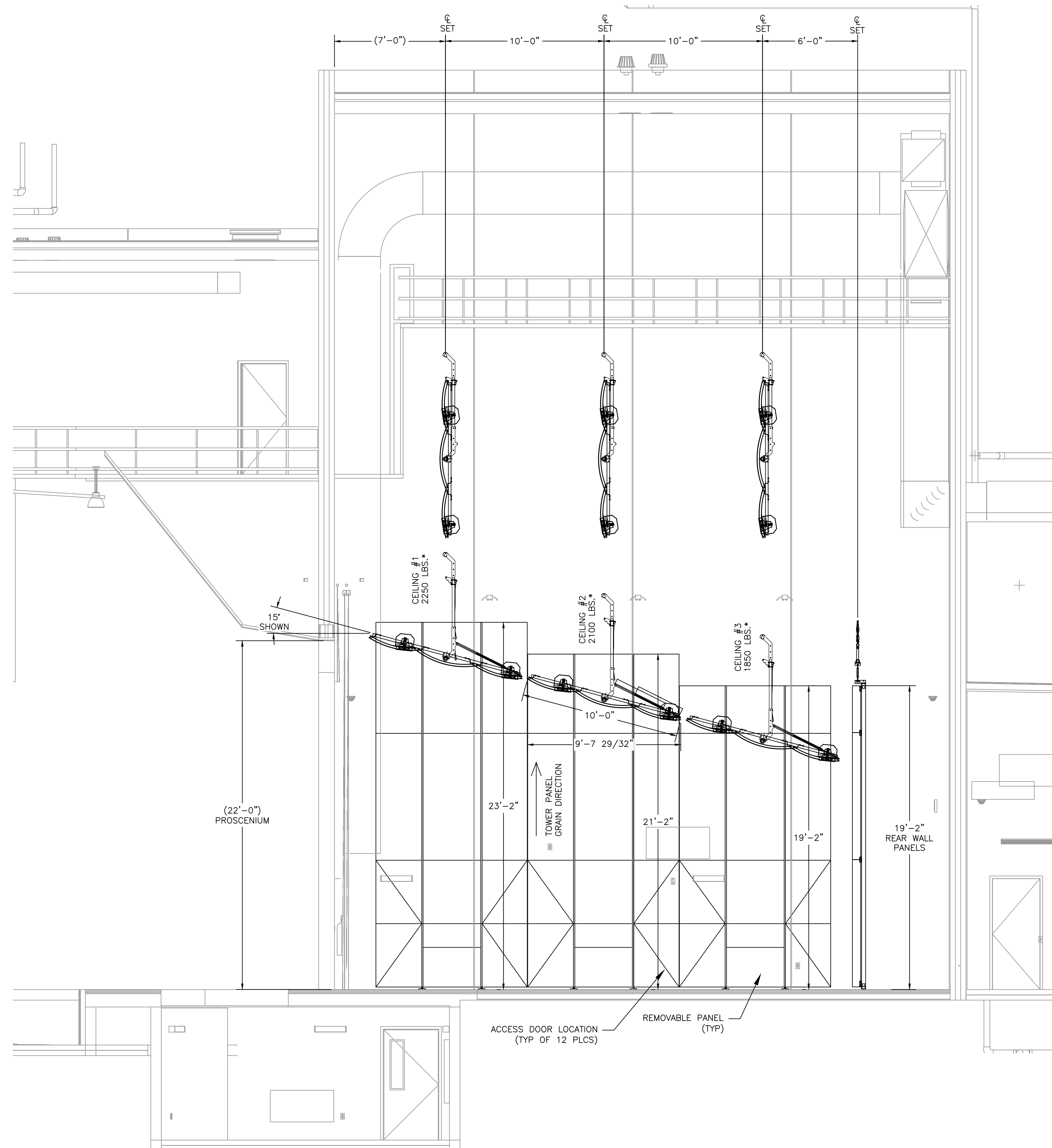
GENERAL CONTRACTOR:

CUSTOMER:

PROJECT:

LOCATION:

SHEET:

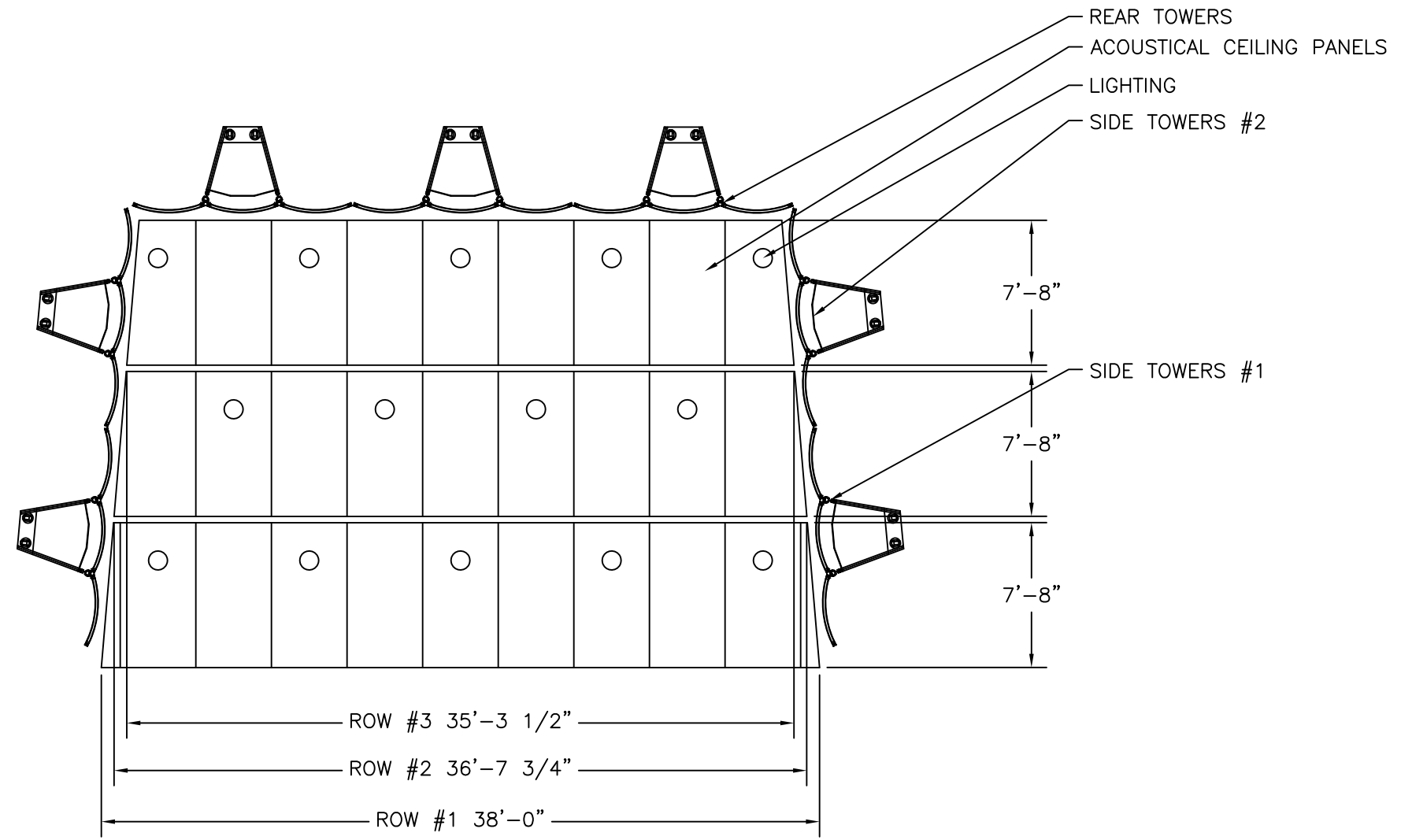


\* = CEILING ROW WEIGHTS  
DO NOT INCLUDE THE WEIGHT  
OF RIGGING OR TRUSS BATTEN  
SUPPLIED BY OTHERS

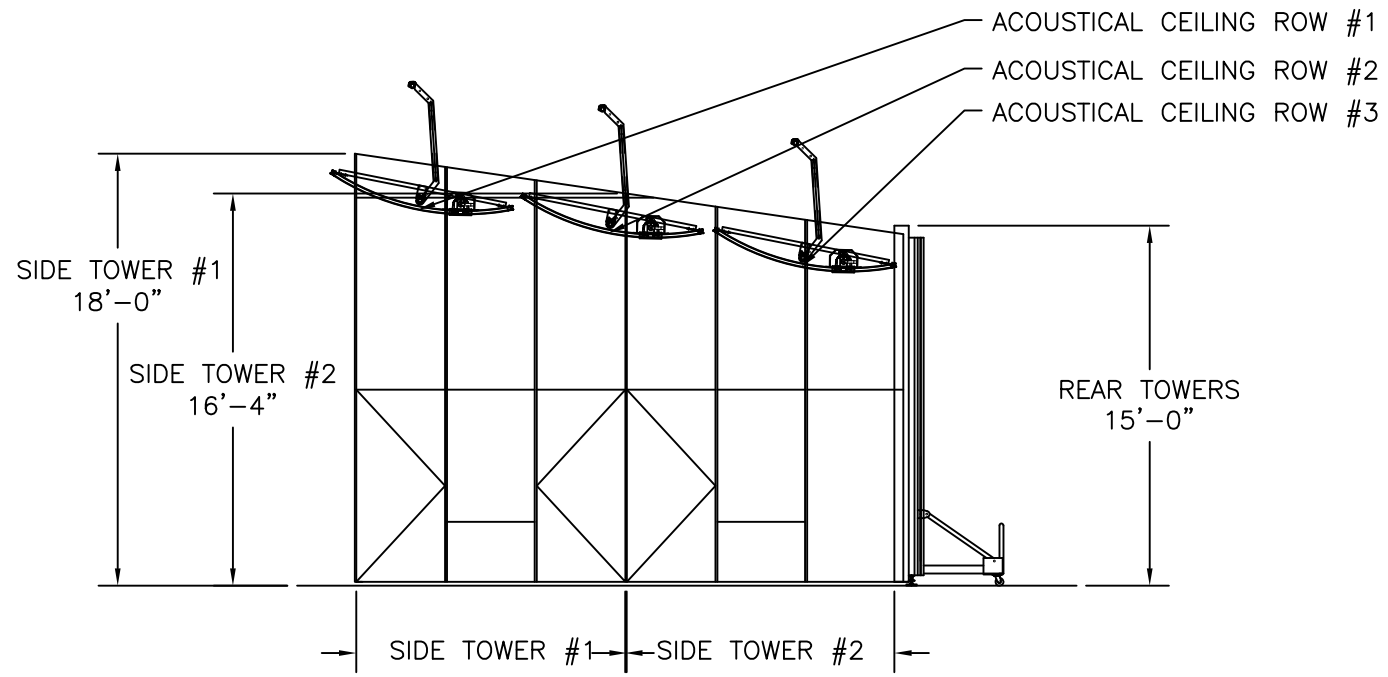
**A** ACOUSTICAL SHELL FULL SECTION  
1/4"=1'-0"

DRAWN BY	DATE
PROJECT NUMBER	
SHEET NUMBER	

ITEM	DESCRIPTION	AUTH	DATE
------	-------------	------	------



1 CEILING PLAN  
SCALE: 1/8" = 1'-0"



2 CEILING/ TOWER SECTION  
SCALE: 1/8" = 1'-0"



**CORPORATE OFFICE**  
7008 Northland Dr., Suite 150  
Minneapolis, MN 55428  
Ph: (763) 535-2094

THIS DRAWING IS THE PROPERTY OF STAGING CONCEPTS AND IS FURNISHED ON A CONFIDENTIAL BASIS. NEITHER THE DRAWING NOR ITEMS THEREON ARE TO BE REPRODUCED OR USED IN ANY MANNER NOT AUTHORIZED BY STAGING CONCEPTS AND IS LOANED SUBJECT TO RETURN ON DEMAND

MATERIAL

SAMPLE BRAVADO SHELL  
SINGLE CEILING ROWS

DR. BY CKS | DATE 12-30-15

UNSPECIFIED TOLERANCES ARE TO BE:  
ANGULAR LINEAR  
±0.5° ±1/32"

SCALE  
AS NOTED

PROJECT

PRODUCT  
BRAVADO

NUMBER  
SB.1

ITEM	DATE	DESCRIPTION OF CHANGE	AUTH.